

Product Name: **OPR t40**
 Product Description: Turbo Oil Pressure Regulator
 Product Number: TS-0801-100X
 Document Version: V1.00 Rev A
 Registration: **PATENT PENDING**



IMPORTANT NOTES ON YOUR TURBO OIL PRESSURE REGULATOR

- **Do NOT remove or adjust the cap. This is NOT an adjustable regulator.**
- Use only high quality fittings ensuring maximum sealing reliability. Optional Turbosmart fitting kit – TS-0802-1001.
- Ensure that all plumbing is appropriately secured.
- Your turbo oil pressure regulator should be mounted at least 100mm from any significant heat source.
- Gauge port is 1/8" NPT.

RECOMMENDATIONS

- Turbosmart recommends that your turbo oil pressure regulator (OPR) is fitted by an appropriately qualified technician
- Turbosmart recommends that you remove all removeable turbo oil restrictors prior to fitting your OPR.
- Turbosmart recommends that your engine oil pressure is checked after fitment to ensure engine oil pressure is satisfactory.
- Optional Turbosmart fitting kit – TS-0802-1001

HOW TO INSTALL YOUR TURBO OIL PRESSURE REGULATOR

TOOLS REQUIRED

External circlip pliers to suit 27mm circlip, Non-marking spanners to tighten fittings.

KIT CONTENTS

Please check that the following items have been provided in your OPR kit.

Quantity	Description	Use
1	Turbosmart OPR t40	Main unit
1	27mm External Circlip	Secures the mounting bracket to the main unit
1	Mounting Bracket	Mounting bracket used for remote mounting the OPR
1	Turbosmart Sticker	Turbosmart sticker

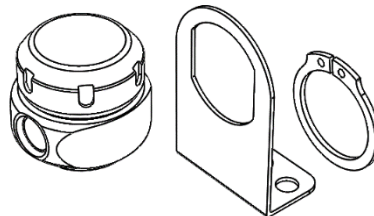


Figure 1 - Kit Contents

OPR OVERVIEW

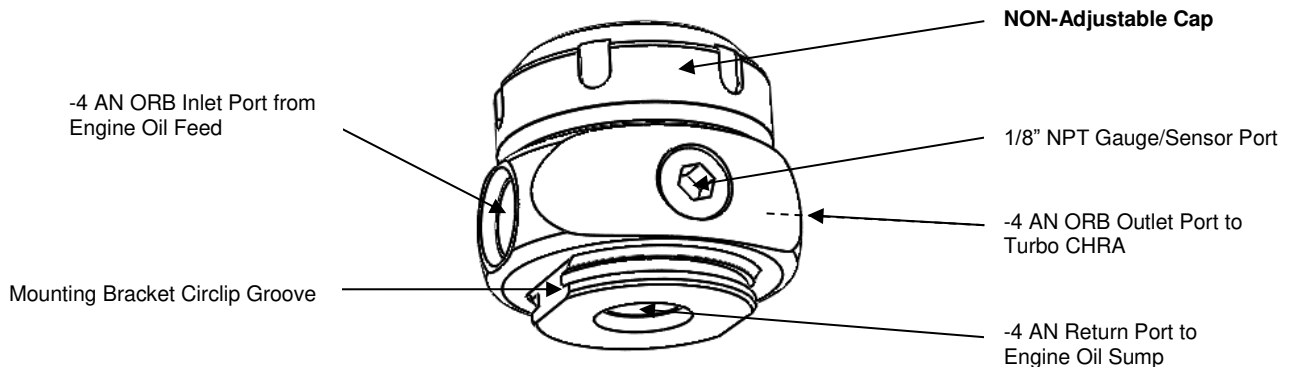


Figure 2 - OPR Overview

FITTING YOUR OPR t40

1 Locate turbo oil pressure feed line and determine mounting location

This line is usually found on the top of the turbo center housing rotating assembly (CHRA) that feeds the turbo for lubrication and cooling. Take time to determine where you wish to mount the OPR in the engine bay. Some examples of placement for your OPR are:

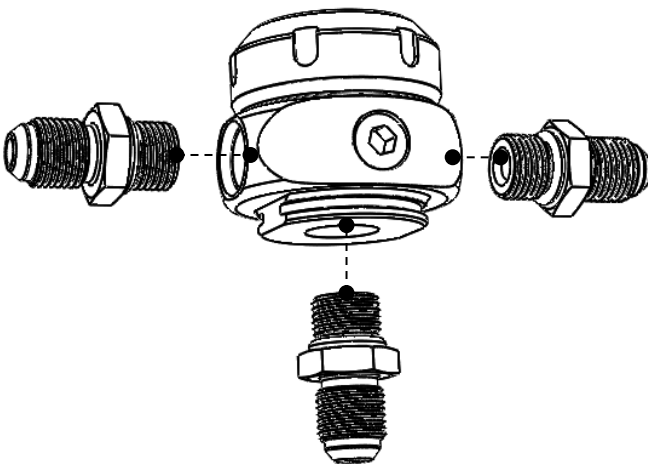
- Mounted against chassis
- Mounted onto oil filler cap
- Mounted onto breather return line
- Mounted onto breather tank

CAUTION!

Do not place the OPR return together with the turbo drain line as this will interfere with the function of the turbo drain and may cause issues with the turbocharger oil system.

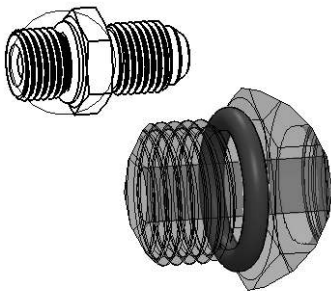
2 Prepare OPR for installation

Prior to mounting the OPR, install fittings into OPR with high quality AN ORB fittings ensuring the O-Ring is present. Optional Turbosmart fitting kit available – TS-0802-1001.



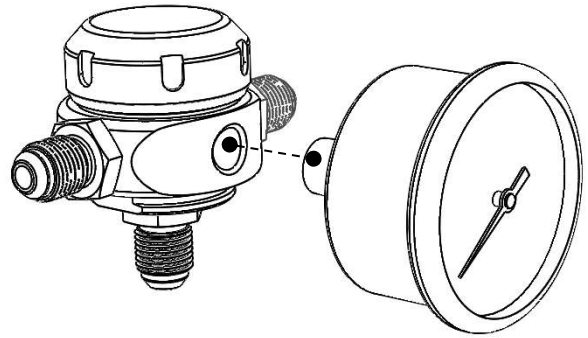
CAUTION!

Ensure correct installation of fittings to prevent high pressure and temperature oil leaks which can lead to extremely dangerous fires. See below for example of ORB fitting – note the O-ring.



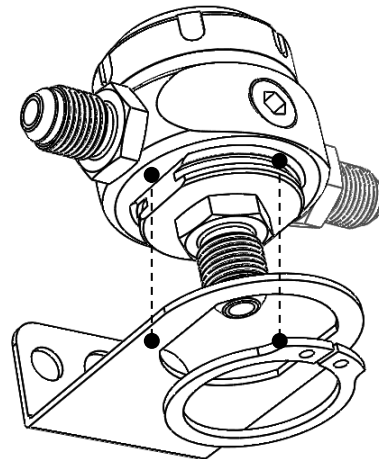
3 Fit Gauge or Sensor Port (OPTIONAL)

This step is optional. Prior to mounting the OPR, install 1/8" NPT gauge or sensor. Unscrew existing 1/8" NPT blank anti-clockwise with 3/16" hex key. Apply thread lubricant and screw in clockwise until finger tight, then tighten further 1-2 turns for seal. Turbosmart gauge kit optional – TS-0402-2023.



4 Mounting your OPR

With all fittings installed onto the OPR, the OPR can now be mounted. Place the mounting bracket over the base of the OPR in the orientation of your choice, place the circlip over the top of the mounting bracket and with external circlip pliers expand the circlip and push down until the circlip clicks into place. Your mounting bracket is now successfully installed and you can now mount your OPR in your specified location. Proceed to connect your oil lines.



5 Start engine and check for leaks

Congratulations, your OPR is installed and ready for use. Double check all fittings, lines and mountings then proceed to start engine and check for leaks. No adjustment is required.

CAUTION! If oil leaks are present – switch off engine immediately and rectify leaks.

See over for troubleshooting steps.

TROUBLE SHOOTING

- OPR Leaking – Check fittings are tight and o-rings are present or not damaged.
- OPR regulating below 40psi (275kPa) – Ensure engine oil pressure is above 40psi, if engine oil pressure is below 40psi, the OPR will not regulate until inlet pressure exceeds 40psi.
- OPR regulating above 50psi (345kPa) – Ensure oil return line is not restricted causing a pressure build up for the regulator.
- Failing the above, submit a technical request to tech@turbosmart.com.au with information of your engine, oil type and photos of installation

The Turbosmart Pledge

TURBOSMART ONE YEAR LIMITED WARRANTY

Turbosmart is a company built on Customer Satisfaction and Service. That is why all of our products go through regimented test procedures before they are packaged and shipped. Turbosmart stands behind its products for one full year after purchase. Terms of Warranty, Service and Returns are as follows:

Limited Warranty: Turbosmart warrants its products to be free from defects in material and workmanship under normal use and if properly installed for a period of one year from date of purchase. If found to be defective, it will be replaced or repaired if returned prepaid along with proof of date of purchase. This shall constitute the sole remedy of the purchaser and the sole liability of Turbosmart to the extent permitted by law, the foregoing is exclusive and in lieu of all other warranties or representations whether expressed or implied, including any implied warranty of merchantability or fitness. In no event shall Turbosmart be liable for special or consequential damages. This warranty is only valid on products purchased from Turbosmart Authorized Dealers.

Service: After the warranty period has expired, repair service is charged based on a minimum and maximum charge rate. (Contact Customer Service for current rate).

Returns: When returning a Turbosmart product for repair, it must be accompanied by a completed Customer Warranty Form and RMA number. To access this form please go to our website www.turbosmartonline.com and you will find it on the Downloads page.

THE TURBOSMART PLEDGE

DO NOT USE ANY TURBOSMART PRODUCT UNTIL YOU HAVE CAREFULLY READ AND UNDERSTOOD THE FOLLOWING AGREEMENT.

Please call if you have any questions or do not understand this agreement. Refer to our brochure, website or catalogue for terms and conditions and further information regarding your product. Turbosmart appreciates your business and pride ourselves on our customer service. We are always happy to offer you advice and will provide you with help in any way we can. The purpose of this agreement is to avoid any problems or hard feelings.

We sometimes make mistakes, as do our dealers, distributors and suppliers. Even customers can sometimes order the wrong parts. Do not use, modify, install, trial assemble, nick, drop, scratch or adjust any part until you first check for any damage. Damage must be reported immediately. NO EXCEPTIONS. If there are any components missing please contact your authorized reseller immediately upon receipt of your shipment. Missing components must be reported within five (5) business days of receipt. Parts returned for any reason MUST BE IN RESALABLE CONDITION. It is YOUR responsibility, "THE CUSTOMER" to carefully package any returns to avoid shipping damage. Insurance is highly recommended. Credit cannot be issued for damaged goods.

Turbosmart warrants the quality of the products it designs and manufactures to be free of defects in material and workmanship. This limited warranty is extended only to the original purchaser and may not be transferred or assigned. This limited warranty applies to any product, which after careful inspection by Turbosmart, after receipt of the product from our authorized reseller, is found to have a defect in either material or workmanship. Any modifications to the product will void any and all warranties and will not be exchanged. Before installation, check new car warranty. Turbosmart is not responsible for voiding any original manufactures warranty.

All warranty claims must be returned to the nearest Turbosmart Office, you must return the product and sales receipt, at your own expense, accompanied by the Customer Warranty Form stating the reason for the claim. Proof of purchase must be provided with any warranty claim and will be verified with the authorized reseller from which the product was purchased.

If all the above procedures are followed, and the product is found to be defective in either workmanship or material, Turbosmart shall either repair or replace the product, at its sole discretion, and sole cost. This limited warranty does not cover or apply to any personal injury, labor charges or any other incidental costs or damages caused by the defective product. The individual purchaser acknowledges and agrees that the disclaimer of any liability for personal injury is a material term for this agreement and the individual purchaser agrees to indemnify Turbosmart and to hold Turbosmart harmless for any claim related to the item of the equipment purchased. Under no circumstances will Turbosmart be liable for any damages or expenses by reason of use or sale of any such equipment.

THIS LIMITED WARRANTY IS THE ONLY EXPRESS WARRANTY, WHICH APPLIES TO TURBOSMART PRODUCT AS EXPRESSLY GIVEN IN LIEU OF ANY OTHER WARRANTY EXPRESSED OR IMPLIED, INCLUDING THAT OF MERCHANTABILITY. ANY IMPLIED WARRANTY INCLUDING THAT OF MERCHANTABILITY AND/OR FITNESS FOR A PARTICULAR PURPOSE IS HEREBY LIMITED BY THE SAME TERMS AND TIME LIMITATIONS SET FORTH IN THIS LIMITED EXPRESS WARRANTY AND OTHERWISE EXCLUDED. EXCEPT FOR THOSE OBLIGATIONS ASSUMED HEREIN, TURBOSMART ASSUMES NO OTHER OBLIGATIONS IN CONNECTION WITH THE SALE OF ITS PRODUCTS.

IN THE EVENT THAT THE INDIVIDUAL PURCHASER DOES NOT AGREE WITH THIS AGREEMENT THE BUYER MAY PROMPTLY RETURN THIS PRODUCT, IN A NEW AND UN-USED CONDITION, WITH A DATED PROOF OF PURCHASE, TO THE PLACE OF PURCHASE WITHIN SEVEN (7) DAYS FROM THE DATE OF PURCHASE FOR A FULL REFUND. THE INSTALLATION OF THIS PRODUCT INDICATES THAT THE INDIVIDUAL PURCHASER HAS READ AND UNDERSTOOD THIS AGREEMENT AND ACCEPTS ITS TERMS AND CONDITIONS.

Happy motoring!
The Turbosmart Team.

Head Office: Turbosmart Pty Limited, PO Box 264 Croydon, NSW, 2132 Australia

Ph: +61(2) 9798 2866

Fax: +61 (2) 9798 2826

Email: info@turbosmart.com.au